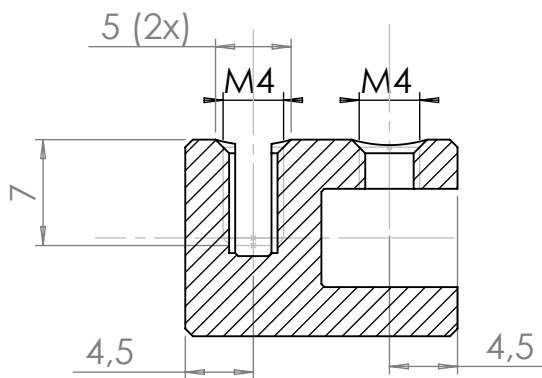
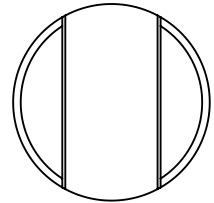
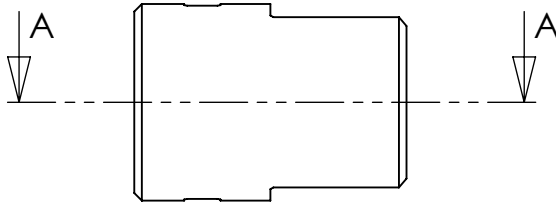
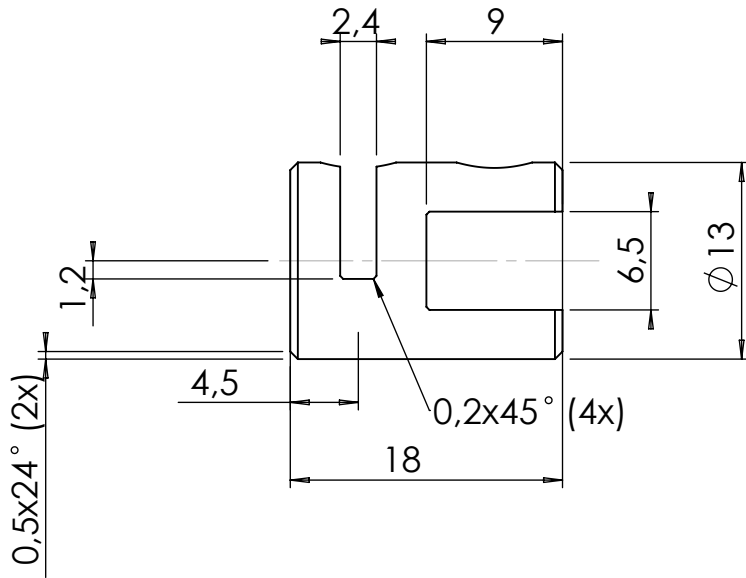


1:1



SECTION A-A

NO BURR OR SHARP EDGES  
NICKELPLATED >3MICRON  
OUTER APPEARANCE  
ACCORDING APPROVED  
SAMPLE