

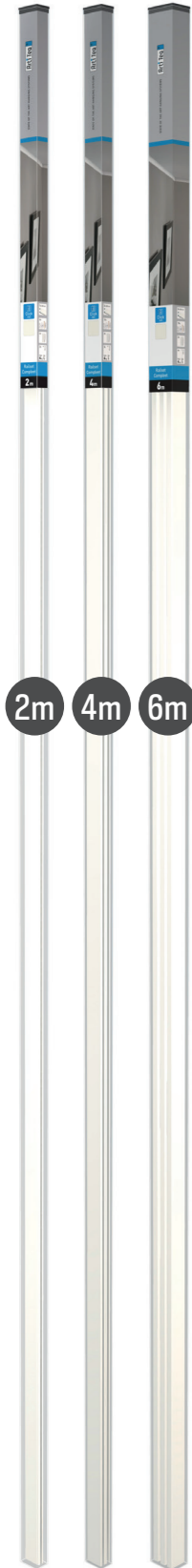


ALL-IN-ONE
KITS

COMPACT
DESIGN
HIGH END


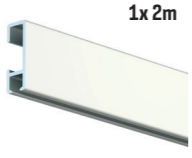



▶ **PICTURE HANGING SYSTEMS**


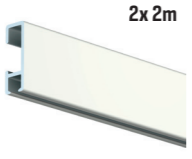



CLICK RAIL


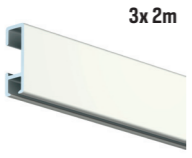





The Click Rail flexible picture hanging system is available in a variety of all-in-one kits: economy, a Twister with a 15-kg hook and a Twister with a 20-kg Micro Grip hook. These retail packages contain the rail, mounting materials and instruction sheet, hanging wires and hooks, and are available in 2-m, 4-m and/or 6-m sets. The all-in-ones kits offer a complete solution and are ready for immediate onward sale.

ALL-IN-ONE CLICK RAIL ECONOMY


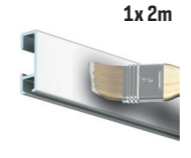



COMPLETE SET 2m				
	 1x 2m	 6x	 2x	 150 cm 2x max. 4 kg
CLICK RAIL WHITE RAL 9010	FASTENING MATERIAL	END CAP	SLIDER PERLON 2 mm HOOK 4 kg	
ARTICLE NO. 9.5621				


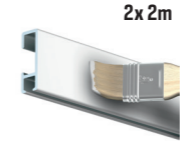



COMPLETE SET 4m				
	 2x 2m	 12x	 2x	 150 cm 3x max. 4 kg
CLICK RAIL WHITE RAL 9010	FASTENER MATERIAL	END CAP	SLIDER PERLON 2 mm HOOK 4 kg	
ARTICLE NO. 9.5627				


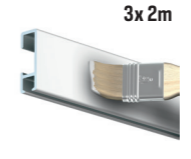



COMPLETE SET 6m				
	 3x 2m	 18x	 2x	 150 cm 4x max. 4 kg
CLICK RAIL WHITE RAL 9010	FASTENER MATERIAL	END CAP	SLIDER PERLON 2 mm HOOK 4 kg	
ARTICLE NO. 9.5629				


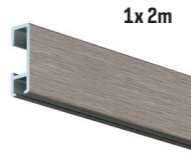

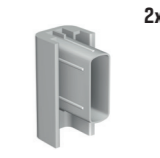

CLICK RAIL

ALL-IN-ONE CLICK RAIL ECONOMY

COMPLETE SET 2m				
	 1x 2m	 6x	 2x	 150 cm 2x max. 4 kg
CLICK RAIL WHITE PRIMER RAL 9016	FASTENER MATERIAL	END CAP	SLIDER PERLON 2 mm HOOK 4 kg	
ARTICLE NO. 9.5623				


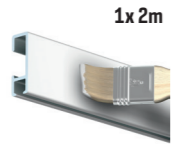



COMPLETE SET 4m				
	 2x 2m	 12x	 2x	 150 cm 3x max. 4 kg
CLICK RAIL WHITE PRIMER RAL 9016	FASTENER MATERIAL	END CAP	SLIDER PERLON 2 mm HOOK 4 kg	
ARTICLE NO. 9.5628				


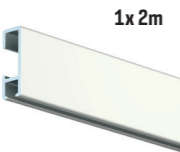



COMPLETE SET 6m				
	 3x 2m	 18x	 2x	 150 cm 4x max. 4 kg
CLICK RAIL WHITE PRIMER RAL 9016	FASTENER MATERIAL	END CAP	SLIDER PERLON 2 mm HOOK 4 kg	
ARTICLE NO. 9.5630				


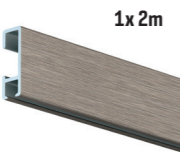



COMPLETE SET 2m				
	 1x 2m	 6x	 2x	 150 cm 2x max. 4 kg
CLICK RAIL ALU BRUSHED	FASTENER MATERIAL	END CAP	SLIDER PERLON 2 mm HOOK 4 kg	
ARTICLE NO. 9.5622				


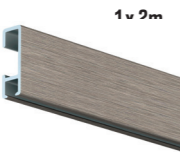



CLICK RAIL

ALL-IN-ONE CLICK RAIL TWISTER 15 KG HOOK

COMPLETE SET 2m				
	 1x 2m	 6x	 2x	 150 cm 2x max. 15 kg
ARTICLE NO.	9.7162	CLICK RAIL WHITE PRIMER RAL 9016	FASTENER MATERIAL	END CAP
				HOOK 15 kg + TWISTER 2 mm PERLON


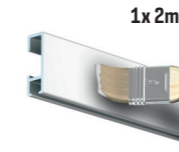



COMPLETE SET 2m				
	 1x 2m	 6x	 2x	 150 cm 2x max. 15 kg
ARTICLE NO.	9.7161	CLICK RAIL WHITE RAL 9010	FASTENER MATERIAL	END CAP
				HOOK 15 kg + TWISTER 2 mm PERLON


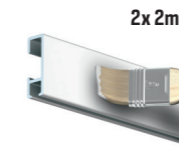



COMPLETE SET 2m				
	 1x 2m	 6x	 2x	 150 cm 2x max. 15 kg
ARTICLE NO.	9.7163	CLICK RAIL ALU BRUSHED	FASTENER MATERIAL	END CAP
				HOOK 15 kg + TWISTER 2 mm PERLON

COMPLETE SET 2m				
	 1x 2m	 6x	 2x	 150 cm 2x max. 15 kg
ARTICLE NO.	9.7164	CLICK RAIL ALU BRUSHED	FASTENER MATERIAL	END CAP
				HOOK 15 kg + TWISTER 2 mm STEELWIRE

CLICK RAIL

ALL-IN-ONE CLICK RAIL TWISTER MICRO GRIP 20 KG HOOK

COMPLETE SET 2m				
	 1x 2m	 6x	 2x	 150 cm 2x max. 20 kg
ARTICLE NO.	9.7130	CLICK RAIL WHITE PRIMER RAL 9016	FASTENER MATERIAL	END CAP
				MICRO GRIP 2 mm + TWISTER 2 mm PERLON

COMPLETE SET 4m				
	 2x 2m	 12x	 2x	 150 cm 3x max. 20 kg
ARTICLE NO.	9.7131	CLICK RAIL WHITE PRIMER RAL 9016	FASTENER MATERIAL	END CAP
				MICRO GRIP 2 mm + TWISTER 2 mm PERLON

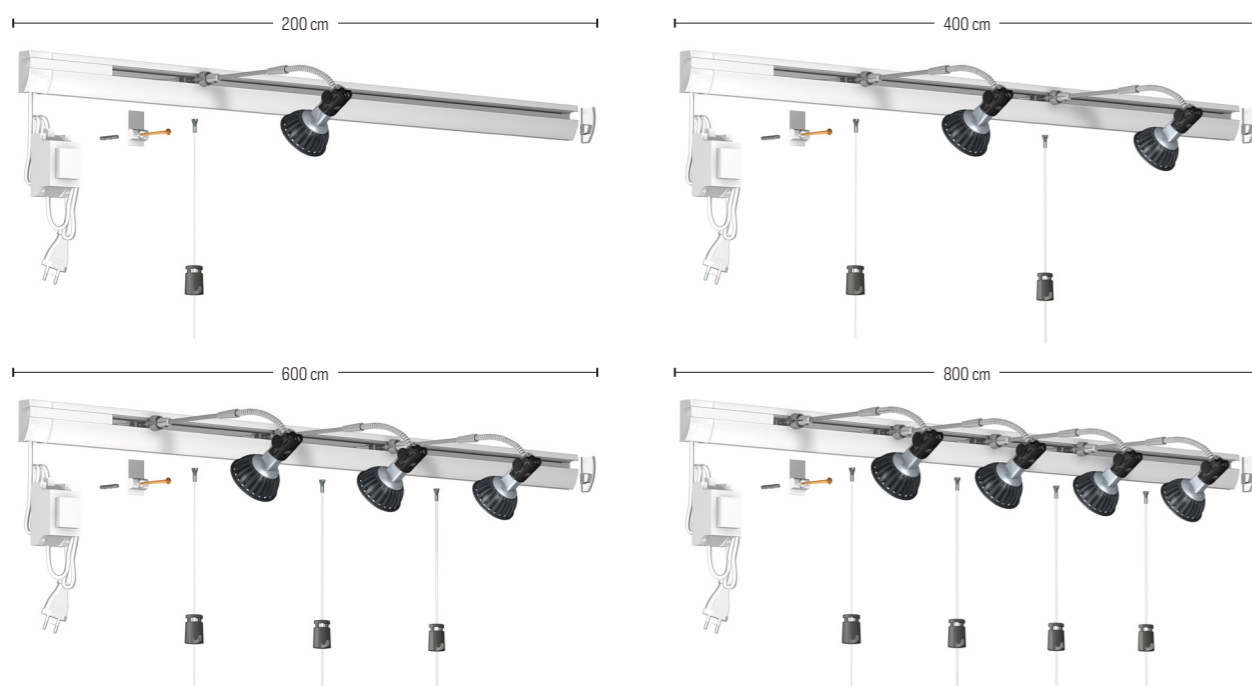


COMBI RAIL PRO LIGHT

The flexible picture hanging system, including Combi Rail Pro Light lighting, is available in 4 different all-in-one kits: 2, 4, 6 and 8 metres. As well as the rail, these sets contain all the required parts, as well as the following accessories: Twister perlon hanging wire with a Micro Grip 20-kg hook.

COMBI RAIL PRO LIGHT ALL-IN-ONE LED SETS 2m/4m/6m/8m

					
	COMBI RAIL PRO LIGHT RAL 9010 (INCLUDES MOUNTING MATERIAL)	FITTING 50 cm	MASTER LED PHILIPS 6,5W	TRAF0 220/12 INCLUDES CONNECTION BLOCK	MICRO GRIP 2 mm + TWISTER 2 mm PERLON
ARTICLE NO.	40.11200	40.21500	40.41306	40.31300/40.32060	30.42200
40.51350 (2m)	1x	1x	1x	1x (40.32060)	1x
40.51360 (4m)	2x	2x	2x	1x/1x	2x
40.51370 (6m)	3x	3x	3x	2x/1x	3x
40.51380 (8m)	4x	4x	4x	3x/1x	4x



FLEXIBLE
DESIGN
HIGH-END