

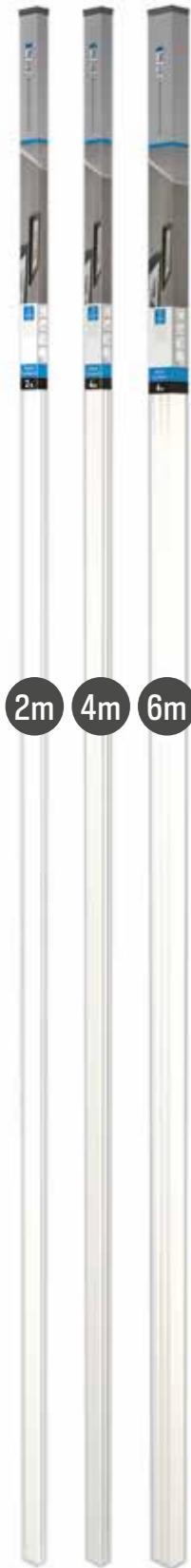


## ALL-IN-ONE KITS

COMPACT  
DESIGN  
HIGH END






### ► PICTURE HANGING SYSTEMS






# CLICK RAIL








The Click Rail flexible picture hanging system is available in a variety of all-in-one kits: economy, a Twister with a 15-kg hook and a Twister with a 20-kg Micro Grip hook. These retail packages contain the rail, mounting materials and instruction sheet, hanging wires and hooks, and are available in 2-m, 4-m and/or 6-m sets. The all-in-ones kits offer a complete solution and are ready for immediate onward sale.

## ALL-IN-ONE CLICK RAIL ECONOMY


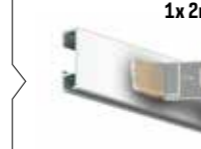

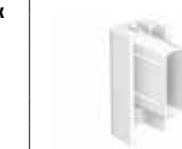
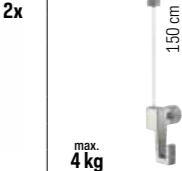
COMPLETE SET 2m					
	 1x 2m	 6x	 2x	 150 cm 2x max. 4 kg	
ARTICLE NO.	9.5621	CLICK RAIL WHITE RAL 9010	FASTENING MATERIAL	END CAP	SLIDER PERLON 2 mm HOOK 4 kg


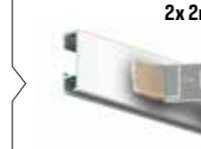


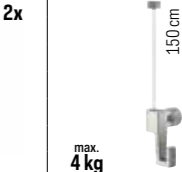
COMPLETE SET 4m					
	 2x 2m	 12x	 2x	 150 cm 3x max. 4 kg	
ARTICLE NO.	9.5627	CLICK RAIL WHITE RAL 9010	FASTENER MATERIAL	END CAP	SLIDER PERLON 2 mm HOOK 4 kg


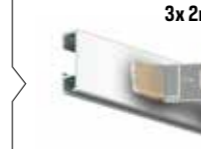


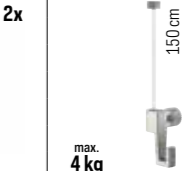
COMPLETE SET 6m					
	 3x 2m	 18x	 2x	 150 cm 4x max. 4 kg	
ARTICLE NO.	9.5629	CLICK RAIL WHITE RAL 9010	FASTENER MATERIAL	END CAP	SLIDER PERLON 2 mm HOOK 4 kg





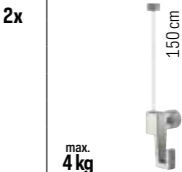
# CLICK RAIL

## ALL-IN-ONE CLICK RAIL ECONOMY

COMPLETE SET 2m					
	 1x 2m	 6x	 2x	 150 cm 2x max. 4 kg	
ARTICLE NO.	9.5623	CLICK RAIL WHITE PRIMER RAL 9016	FASTENER MATERIAL	END CAP	SLIDER PERLON 2 mm HOOK 4 kg




COMPLETE SET 4m					
	 2x 2m	 12x	 2x	 150 cm 3x max. 4 kg	
ARTICLE NO.	9.5628	CLICK RAIL WHITE PRIMER RAL 9016	FASTENER MATERIAL	END CAP	SLIDER PERLON 2 mm HOOK 4 kg

COMPLETE SET 6m					
	 3x 2m	 18x	 2x	 150 cm 4x max. 4 kg	
ARTICLE NO.	9.5630	CLICK RAIL WHITE PRIMER RAL 9016	FASTENER MATERIAL	END CAP	SLIDER PERLON 2 mm HOOK 4 kg

COMPLETE SET 2m					
	 1x 2m	 6x	 2x	 150 cm 2x max. 4 kg	
ARTICLE NO.	9.5622	CLICK RAIL ALU BRUSHED	FASTENER MATERIAL	END CAP	SLIDER PERLON 2 mm HOOK 4 kg

# CLICK RAIL

## ALL-IN-ONE CLICK RAIL TWISTER 15 KG HOOK

COMPLETE SET 2m				
	 1x 2m	 6x	 2x	 150 cm 2x max. 15 kg
	CLICK RAIL WHITE PRIMER RAL 9016	FASTENER MATERIAL	END CAP	HOOK 15 kg + TWISTER 2 mm PERLON
ARTICLE NO.	9.7162			






COMPLETE SET 2m				
	 1x 2m	 6x	 2x	 150 cm 2x max. 15 kg
	CLICK RAIL WHITE RAL 9010	FASTENER MATERIAL	END CAP	HOOK 15 kg + TWISTER 2 mm PERLON
ARTICLE NO.	9.7161			






COMPLETE SET 2m				
	 1x 2m	 6x	 2x	 150 cm 2x max. 15 kg
	CLICK RAIL ALU BRUSHED	FASTENER MATERIAL	END CAP	HOOK 15 kg + TWISTER 2 mm PERLON
ARTICLE NO.	9.7163			

COMPLETE SET 2m				
	 1x 2m	 6x	 2x	 150 cm 2x max. 15 kg
	CLICK RAIL ALU BRUSHED	FASTENER MATERIAL	END CAP	HOOK 15 kg + TWISTER 2 mm STEELWIRE
ARTICLE NO.	9.7164			

# CLICK RAIL

## ALL-IN-ONE CLICK RAIL TWISTER MICRO GRIP 20 KG HOOK

COMPLETE SET 2m				
	 1x 2m	 6x	 2x	 150 cm 2x max. 20 kg
	CLICK RAIL WHITE PRIMER RAL 9016	FASTENER MATERIAL	END CAP	MICRO GRIP 2 mm + TWISTER 2 mm PERLON
ARTICLE NO.	9.7130			

COMPLETE SET 4m				
	 2x 2m	 12x	 2x	 150 cm 3x max. 20 kg
	CLICK RAIL WHITE PRIMER RAL 9016	FASTENER MATERIAL	END CAP	MICRO GRIP 2 mm + TWISTER 2 mm PERLON
ARTICLE NO.	9.7131			



# COMBI RAIL PRO LIGHT

The flexible picture hanging system, including Combi Rail Pro Light lighting, is available in 4 different all-in-one kits: 2, 4, 6 and 8 metres. As well as the rail, these sets contain all the required parts, as well as the following accessories: Twister perlon hanging wire with a Micro Grip 20-kg hook.

## COMBI RAIL PRO LIGHT ALL-IN-ONE LED SETS 2m/4m/6m/8m

					
	COMBI RAIL PRO LIGHT RAL 9010 (INCLUDES MOUNTING MATERIAL)	FITTING 50 cm	MASTER LED PHILIPS 6,5W	TRAF0 220/12 INCLUDES CONNECTION BLOCK	MICRO GRIP 2 mm + TWISTER 2 mm 150 cm PERLON
ARTICLE NO.	40.11200	40.21500	40.41306	40.31300/40.32060	30.42200
40.51350 (2m)	1x	1x	1x	1x (40.32060)	1x
40.51360 (4m)	2x	2x	2x	1x/1x	2x
40.51370 (6m)	3x	3x	3x	2x/1x	3x
40.51380 (8m)	4x	4x	4x	3x/1x	4x

