

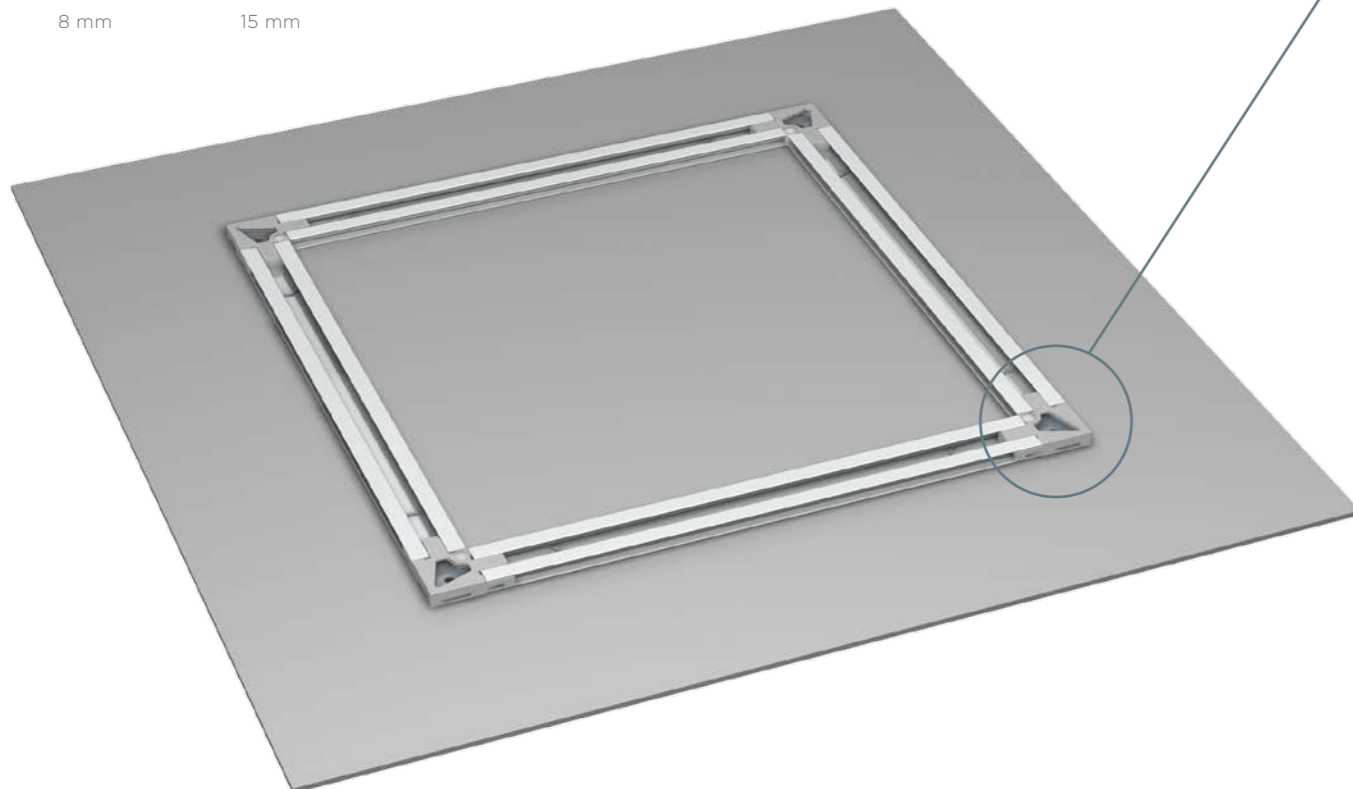
ARTITEQ BACK FRAME HANGING SYSTEM



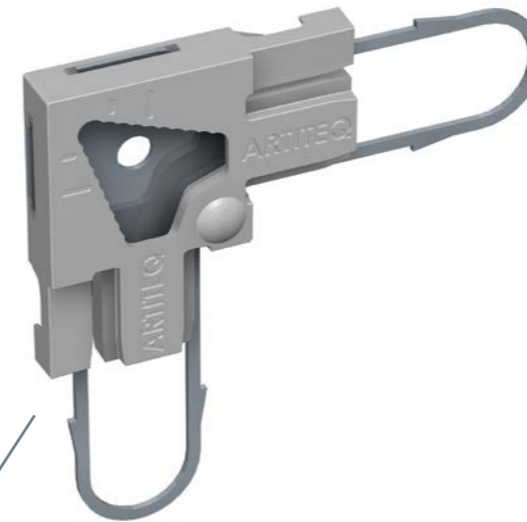
A **safe** and **solid** solution to hang printed panels.
 Adds **depth** and **shadow** between panel and wall.
 Adds **rigidity** to **flexible** panels made of aluminium (Dibond), forex or acrylic.

The Back Frame Hanging System is a mounting system especially for thin and flexible panels made of aluminium, forex or acrylic. It helps to stiffen the panel, while mounting is easy and safe. The leveling system provided by the Back Frame Corners is particularly convenient for the mounted panel allowing adjustment for the panel up to 6 mm. The panel will always be straight without drilling new holes.

The Back Frame Hanging System is available in 8 mm and 15 mm profiles, both in the versions alu mill finish and silver anodised.

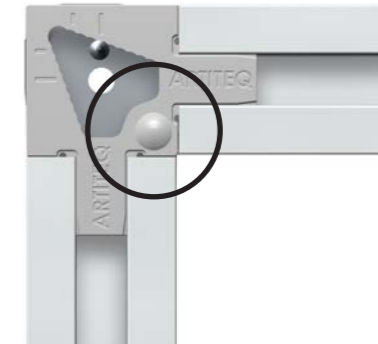


ARTITEQ BACK FRAME HANGING SYSTEM

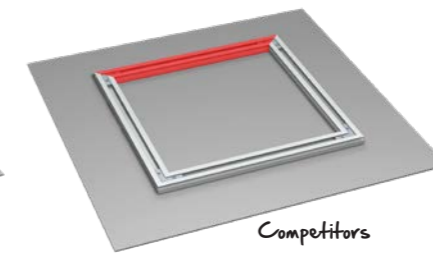
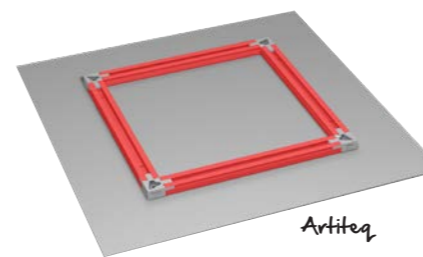


1. WALL PROTECTION INCORPORATED

Wall protection is incorporated in the Power Corners.



2. LESS TAPE, BETTER LOAD CAPACITY



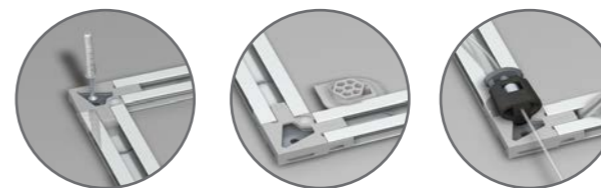
Rigid fixing thanks to steel spring!



Power Corners enable equal weight distribution because of rigid fixing thanks to steel spring in square-cut profiles instead of mitre-cut profiles.

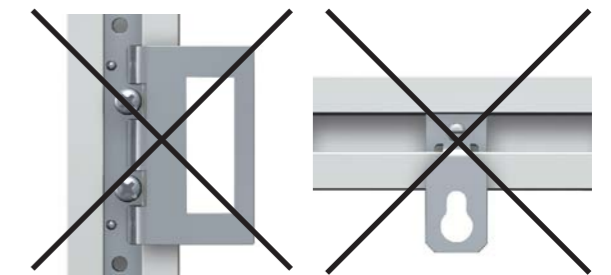
3. EASY HANGING: 3 OPTIONS

The Artiteq Back Frame Power Corners provide 3 easy ways of hanging a printed panel : Fixed (1), Secured (2) and Flexible (3).



4. NO EXTRA ACCESSORIES NEEDED

The printed panel is hung using the Power Corners, no extra accessories needed.



ARTITEQ BACK FRAME HANGING SYSTEM



The Back Frame Hanging System is available in 8 mm and 15 mm profiles, both in the versions alu mill finish and silver anodised.

BACK FRAME HANGING SYSTEM RAIL 8mm

05.16300	05.16301	05.16010
BACK FRAME RAIL 8 mm 300 cm ALU BRUTE	BACK FRAME RAIL 8 mm 300 cm SILVER ANODISED	BACK FRAME POWER CORNER 8 mm (SET OF 4)

BACK FRAME HANGING SYSTEM RAIL 15mm

05.17300	05.17301	05.17010
BACK FRAME RAIL 15 mm 300 cm ALU BRUTE	BACK FRAME RAIL 15 mm 300 cm SILVER ANODISED	BACK FRAME POWER CORNER 15 mm (SET OF 4)

BACK FRAME HANGING SYSTEM ADDITIONS

05.16050	05.16055	05.16030	05.16040	05.16060
TAPE 3M 12 mm 33 M	3M VHB CLEANING TISSUES	BACK FRAME SECURITY KEY	BACK FRAME FLEX BUMPER	BACK FRAME SECURITY CLIP (4 CLIPS, 4 PLUGS, 4 SCREWS)

SET* BACK FRAME HANGING SYSTEM ON LENGTH INCLUDING 3M TAPE MOUNTED

	SET 2x BACK FRAME RAIL 8 MM 344 MM ALU BRUTE (40CM)	SET 2x BACK FRAME RAIL 8 MM 444 MM ALU BRUTE (50CM)	SET 2x BACK FRAME RAIL 8 MM 544 MM ALU BRUTE (60CM)	SET 2x BACK FRAME RAIL 8 MM 644 MM ALU BRUTE (70CM)	
	05.16725	05.16726	05.16735	05.16745	
	SET 2x BACK FRAME RAIL 8 MM 744 MM ALU BRUTE (90CM)	SET 2x BACK FRAME RAIL 8 MM 844 MM ALU BRUTE (90CM)	SET 2x BACK FRAME RAIL 8 MM 944 MM ALU BRUTE (100CM)	SET 2x BACK FRAME RAIL 8 MM 1044 MM ALU BRUTE (110CM)	
	05.16746	05.16755	05.16756	05.16765	

* SET DOES NOT INCLUDE POWER CORNERS 8MM

ARTITEQ BACK FRAME HANGING SYSTEM

A For the correct sizing and positioning of the Back Frame Hanging System, we recommend placing the profiles at 100 mm from each side of the printed panel. When glueing the profiles to the back of the printed panels, we recommend using 3M tape (article number 05.16050).

B The 8-mm and 15-mm profiles for the Back Frame Hanging System can also be mitre-cut. The profiles will fit with a wide range of accessories available on the market.

C We recommend using 3M tape (general advice 3M: 25 cm²/kg) for printed panels made of aluminium, hard-foam, forex, acryl and glass. The below table applies when Back Frame Hanging System profiles are applied at max. 100 mm from each of the sides of the printed panel (see A). The table applies for panels with a maximum total weight of 30 kg and a minimum size of 400 x 400 mm.

MATERIAL	THICKNESS	TAPE	FOR SURFACES
Dibond	3-6 mm	Single tape 12 mm	Up to 4 m ²
Forex	3-5 mm	Single tape 12 mm	Up to 4 m ²
Acryl	3-5 mm	Single tape 12 mm	Up to 4 m ²
Glass	6 mm	Double tape 24 mm	Up to 2 m ²

