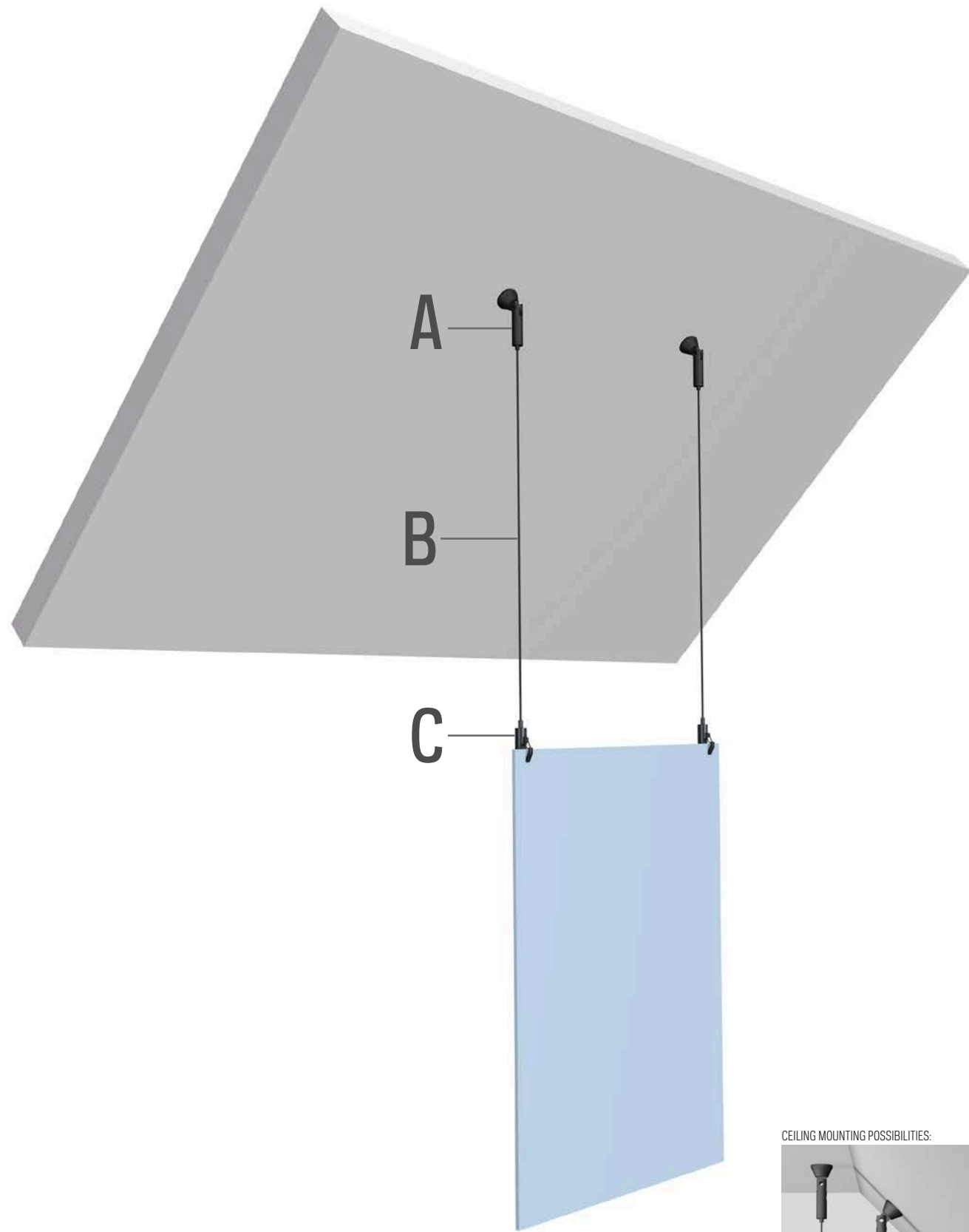


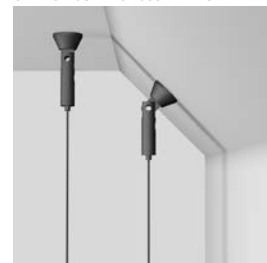
CEILING SLANTED WALLS



COMBINATION SHOWN:
A2 + B1 + C1

POSSIBLE COMBINATIONS:
A1/A2 + B1/B2 + C1/C2/C3/C4/C5/C6/C7

CEILING MOUNTING POSSIBILITIES:



CEILING SLANTED WALLS

A

A1	A2
CEILING BRACKET AUTO GRIP SILVER	CEILING BRACKET AUTO GRIP BLACK
7807.160	7807.150

B

B1	B2	B3
STEELWIRE 7 x 7 1,2 mm 10 m*	STEELWIRE BLACK 7 x 7 1,2 mm 3 m*	STEELWIRE 7 x 7 1,2 mm SPOOL 100 m*
7807.350	7807.360	9.4907

C

C1	C2	C3	C4	C5	C6	C7
STEELWIRE HOOK AUTO GRIP 1,2 mm ST01BL	STEELWIRE HOOK AUTO GRIP 1,2 mm ST01NI	STEELWIRE HOOK AUTO GRIP 1,2 mm ST02NI	STEELWIRE HOOK AUTO GRIP 1,2 mm ST03NI	STEELWIRE CLAMPHOOK AUTO GRIP 1,2 mm STC01NI	STEELWIRE HOOK AUTO GRIP 1,2mm STD01NI NICKEL	STEELWIRE HOOK AUTO GRIP 1,2mm STD01BL BLACK
7807.010	7807.020	7807.030	7807.040	7807.050	7807.080	7807.070

* CABLE CUTTER 7807.900 AVAILABLE FOR USE WITH STEELWIRE 7 x 7 1,2mm