

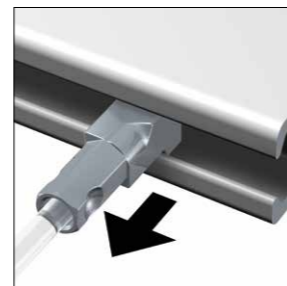
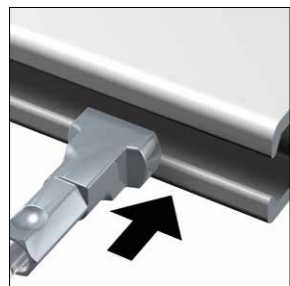
HANGING WIRES

In addition to the different hanging systems that Artiteq offers, there are (small) essential parts that are needed to actually hang the painting or wall decoration you want on the chosen rail. For example, there are various types of hanging wires and hooks to choose from, depending on your chosen rail and the weight of your painting or wall decoration.



TWISTER™

MAX.
20 KG



1

SIMPLE-SAFE-STRONG

Artiteq developed the Twister glider system for all its hanging rails. Twister offers the most Logical and user-friendly way to hook the hanging wire into the rail: insert, twist, click and you're done. Since the Twister may be clicked anywhere on the rail, you can hang a picture anywhere you like on the wall. You have the option of using Twister in perlon, steel wire or rods for all the Artiteq hanging systems. The perlon and steel hanging wires with the Twister mechanism are available in 1 or 2 mm thicknesses, and in lengths ranging from 100 to 500 cm.

TWISTER™

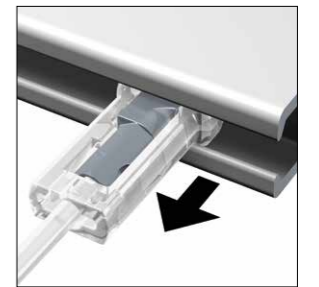
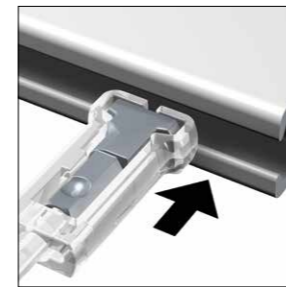
Twister is a European Registered Community Design.



HANGING WIRES

TWISTER™ CLIQ2FIX_{perlon}

MAX.
20 KG



2

EXTRA EASE-OF-USE

Thanks to the development of the Twister Cliq2Fix perlon system, perlon cord now has an additional functionality when it comes to hanging pictures. The hanging wire equipped with the Twister Cliq2Fix system may be inserted in the rail, eliminating the risk of the perlon cord popping loose from the rail as a result of its recoiling effect. This makes it extra safe, and easy to slide into the rail. In other words, extra ease-of-use.



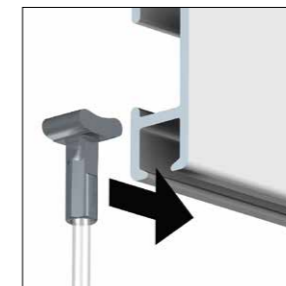
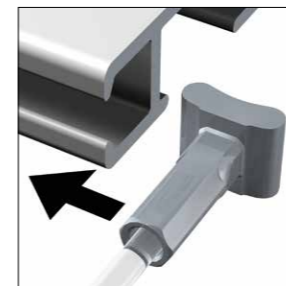
SOLID SLIDER

MAX.
20 KG

SLIDER ECONOMY

not visible in the rail

MAX.
15 KG



3

SLIDE INTO SIDE

Artiteq developed the Solid Slider system which attaches the hanging wire with glider via the side of the rail. This system is available for 2 mm perlon and 2 mm steel wire. The hanging wire may be freely slid into the hanging rail, yet may not be removed from the rail as easily. Hanging wires with the Solid Slider mechanism are available in lengths of 100, 150, 200, 250, 300 en 500 cm. A slanted stop system is available for slanted walls. This system makes it possible to use a flexible picture hanging system even with slanted walls, for example in a staircase.



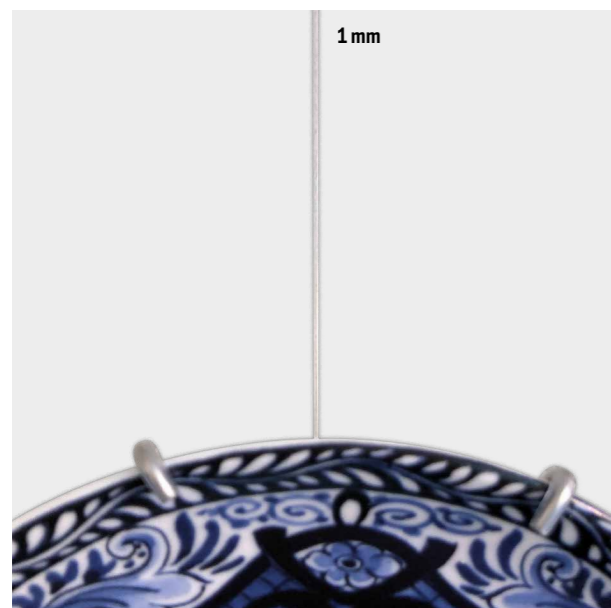
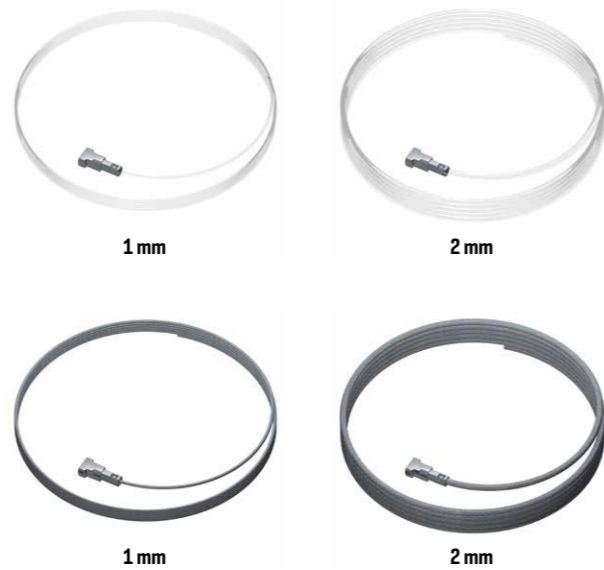
HANGING WIRES



1 mm vs 2 mm hanging wires




Artiteq offers the Twister hanging wires in two different thicknesses; 1 mm and 2 mm. Both perlon and steel wire hanging wires are available in the two different thicknesses. The steel wire black hanging wires are only available in 1 mm.

The choice of choosing 1 mm hanging wires depends on one's own requirements. The smaller the diameter of the hanging wire, the less visible it is. Especially with the perlon hanging wires, the choice for 1 mm can be preferable. To hang a frame or wall decoration as invisible as possible.



HANGING WIRES

1 mm						
TWISTER 1 mm						
	30.21150	TWISTER	1 mm	PERLON	5 kg	150 cm
	30.21200	TWISTER	1 mm	PERLON	5 kg	200 cm
	30.21300	TWISTER	1 mm	PERLON	5 kg	300 cm
	30.22150	TWISTER	1 mm	STEEL	10 kg	150 cm
	30.22200	TWISTER	1 mm	STEEL	10 kg	200 cm
	30.22300	TWISTER	1 mm	STEEL	10 kg	300 cm
	09.63150	TWISTER	1 mm	STEEL BLACK	10 kg	150 cm
	09.63200	TWISTER	1 mm	STEEL BLACK	10 kg	200 cm
	09.63300	TWISTER	1 mm	STEEL BLACK	10 kg	300 cm

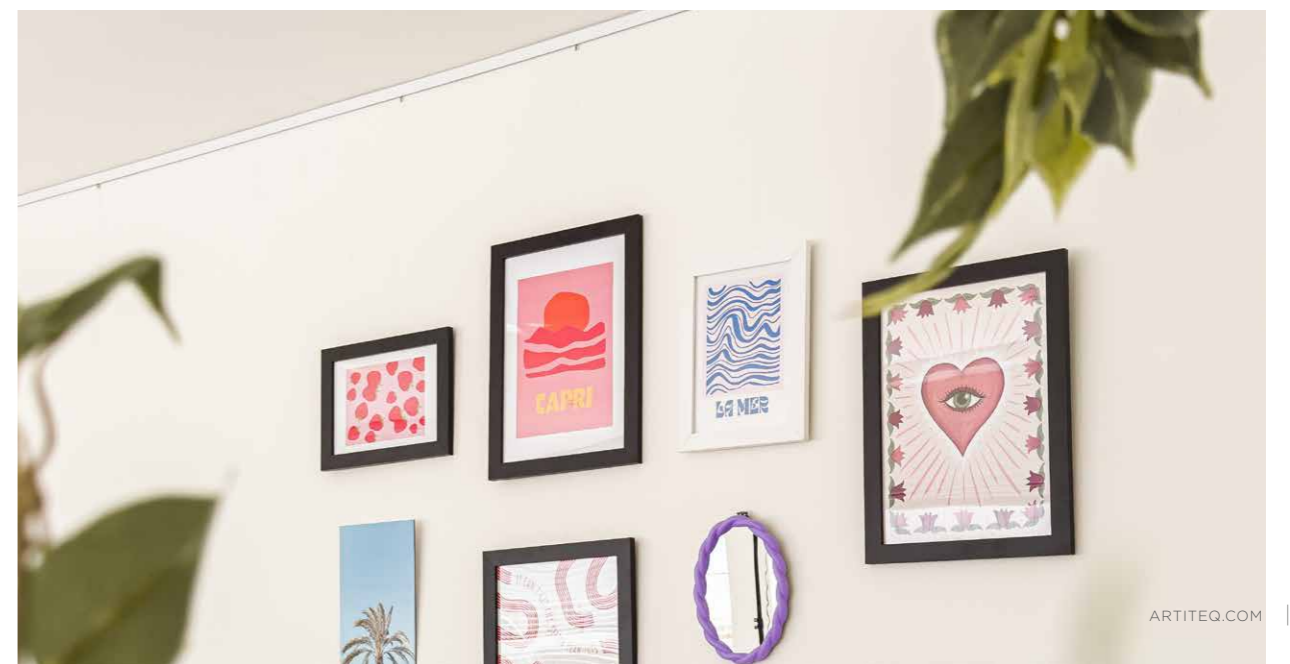
2 mm						
TWISTER 2 mm						
	09.23100	TWISTER	2 mm	PERLON	20 kg	100 cm
	09.23150	TWISTER	2 mm	PERLON	20 kg	150 cm
	09.23200	TWISTER	2 mm	PERLON	20 kg	200 cm
	09.23250	TWISTER	2 mm	PERLON	20 kg	250 cm
	09.23300	TWISTER	2 mm	PERLON	20 kg	300 cm
	09.23500	TWISTER	2 mm	PERLON	20 kg	500 cm
	09.33100	TWISTER	2 mm	STEEL	20 kg	100 cm
	09.33150	TWISTER	2 mm	STEEL	20 kg	150 cm
	09.33200	TWISTER	2 mm	STEEL	20 kg	200 cm
	09.33250	TWISTER	2 mm	STEEL	20 kg	250 cm
	09.33300	TWISTER	2 mm	STEEL	20 kg	300 cm
	09.33500	TWISTER	2 mm	STEEL	20 kg	500 cm

2 mm						
TWISTER ROD 2 mm						
	9.4196	TWISTER	2 mm	ROD WHITE	20 kg	100 cm
	9.4198	TWISTER	2 mm	ROD WHITE	20 kg	200 cm

2 mm						
TWISTER CLIQ2FIX PERLON 2 mm						
	09.13100	TWISTER CLIQ2FIX	2 mm	PERLON	20 kg	100 cm
	09.13150	TWISTER CLIQ2FIX	2 mm	PERLON	20 kg	150 cm
	09.13200	TWISTER CLIQ2FIX	2 mm	PERLON	20 kg	200 cm
	09.13250	TWISTER CLIQ2FIX	2 mm	PERLON	20 kg	250 cm
	09.13300	TWISTER CLIQ2FIX	2 mm	PERLON	20 kg	300 cm

2 mm						
SOLID SLIDER 2 mm						
	08.23100	SOLID SLIDER	2 mm	PERLON	20 kg	100 cm
	08.23150	SOLID SLIDER	2 mm	PERLON	20 kg	150 cm
	08.23200	SOLID SLIDER	2 mm	PERLON	20 kg	200 cm
	08.23250	SOLID SLIDER	2 mm	PERLON	20 kg	250 cm
	08.23300	SOLID SLIDER	2 mm	PERLON	20 kg	300 cm
	08.23500	SOLID SLIDER	2 mm	PERLON	20 kg	500 cm
	08.43100	SOLID SLIDER	2 mm	STEEL	20 kg	100 cm
	08.43150	SOLID SLIDER	2 mm	STEEL	20 kg	150 cm
	08.43200	SOLID SLIDER	2 mm	STEEL	20 kg	200 cm
	08.43250	SOLID SLIDER	2 mm	STEEL	20 kg	250 cm
	08.43300	SOLID SLIDER	2 mm	STEEL	20 kg	300 cm
	08.43500	SOLID SLIDER	2 mm	STEEL	20 kg	500 cm

2 mm						
SLIDER ECONOMY 2 mm						
	9.4424	SLIDER ECONOMY	2 mm	PERLON	15 kg	100 cm
	9.4425	SLIDER ECONOMY	2 mm	PERLON	15 kg	150 cm
	9.4426	SLIDER ECONOMY	2 mm	PERLON	15 kg	200 cm
	9.4427	SLIDER ECONOMY	2 mm	PERLON	15 kg	250 cm
	9.4428	SLIDER ECONOMY	2 mm	PERLON	15 kg	300 cm

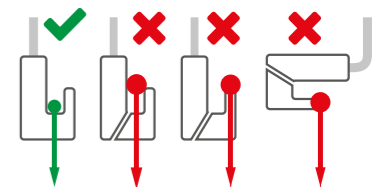


HOOKS & COMPATIBILITY

Depending on the weight of a frame or other wall decoration, the right picture hook must be selected. The wide product range offers hooks with maximum load capacities varying from 4 kg to 20 kg.

	30.41200 20 kg AUTO GRIP	30.41250 20 kg AUTO GRIP	30.41100 10/5 kg AUTO GRIP	9.4264 15 kg AUTO GRIP	9.4261 15 kg AUTO GRIP
	LOCK			LOCK	
TWISTER 1 mm PERLON 150 / 200 / 300 cm			✓		
TWISTER 1 mm STEELWIRE 150 / 200 / 300 cm			✓		
TWISTER 1 mm STEELWIRE BLACK 150 / 200 / 300 cm			✓		
TWISTER 2 mm PERLON 100 / 150 / 200 / 250 / 300 / 500 cm	✓	✓		✓	✓
TWISTER 2 mm STEELWIRE 100 / 150 / 200 / 250 / 300 / 500 cm	✓	✓		✓	✓
TWISTER 2 mm 2 mm ROD WHITE 100 / 200 cm	✓	✓			✓
TWISTER CLIQ2FIX 2 mm PERLON 100 / 150 / 200 / 250 / 300 cm	✓	✓		✓	✓
SOLID SLIDER 2 mm PERLON* 100 / 150 / 200 / 250 / 300 / 500 cm insert from the side	✓	✓		✓	✓
SOLID SLIDER 2 mm STEELWIRE* 100 / 150 / 200 / 250 / 300 / 500 cm insert from the side	✓	✓		✓	✓

	9.4208 10 kg MANUAL	9.4219 7 kg MANUAL	9.4209 7 kg MANUAL	9.4207 5 kg MANUAL	9.4205 4 kg MANUAL
TWISTER 2 mm PERLON 100 / 150 / 200 / 250 / 300 / 500 cm	✓	✓	✓	✓	✓
TWISTER 2 mm ROD WHITE 100 / 200 cm				✓	
TWISTER CLIQ2FIX 2 mm PERLON 100 / 150 / 200 / 250 / 300 cm	✓	✓	✓	✓	✓
SOLID SLIDER 2 mm PERLON* 100 / 150 / 200 / 250 / 300 / 500 cm insert from the side	✓	✓	✓	✓	✓



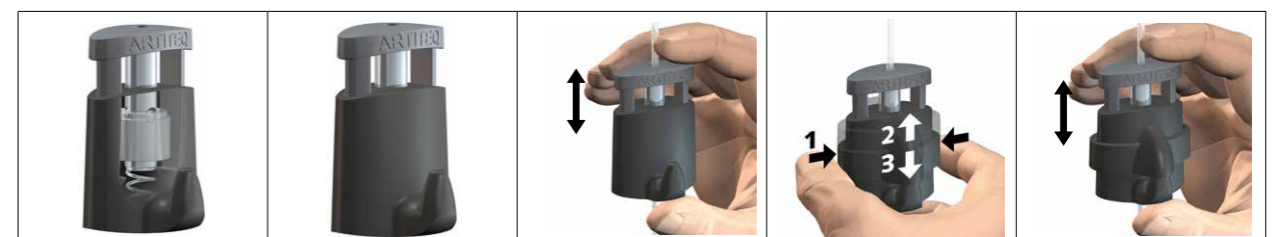
The maximum weight carrying capacity of a picture hook is only valid when the frame is correctly applied to the hook. This illustration shows how to correctly charge the picture hook.

MICRO GRIP


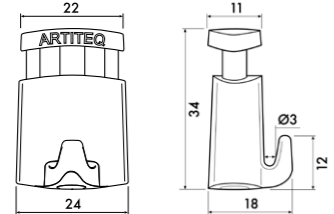

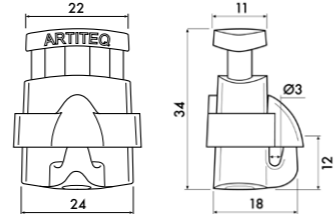
Micro Grip represents the newest generation of hooks. A high-quality plastic reinforced with fibreglass was chosen for this hook, leading to a 70% reduction in the use of materials compared with previous generations of hooks. In addition to the ecological advantages, the hook is extremely lightweight as a result, and very easy to use. The **Micro Grip** technology has been developed and patented by Artiteq. To guarantee the quality of the **Micro Grip** hooks, Artiteq has developed quality assurance procedures together with TÜV Nederland. The execution is under supervision of TÜV Nederland.


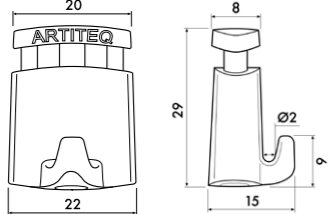

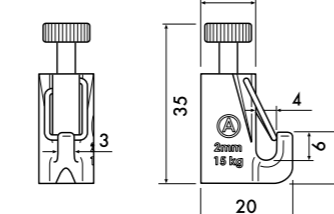



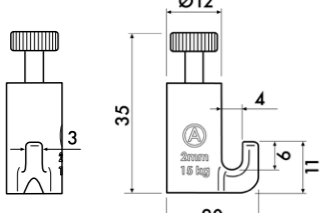

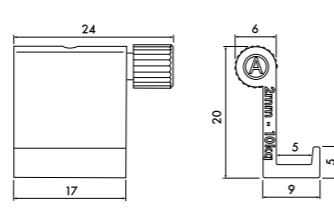
- LIGHTWEIGHT
- STRONG (20 kg)
- ERGONOMIC


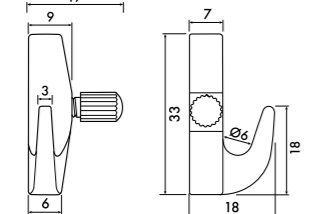

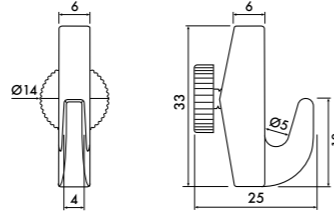



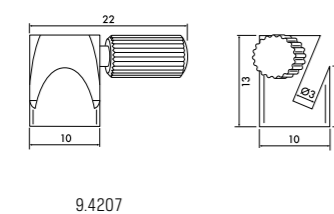

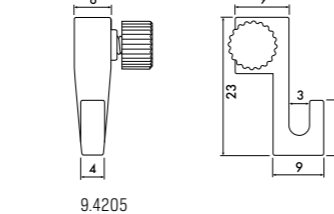
HOOKS

			
<p>30.41200 20 kg AUTO GRIP</p>		<p>30.41250 20 kg AUTO GRIP</p>	

			
<p>30.41100 10/5 kg AUTO GRIP</p>		<p>9.4264 15 kg AUTO GRIP</p>	

			
<p>9.4261 15 kg AUTO GRIP</p>		<p>9.4208 10 kg MANUAL</p>	

			
<p>9.4219 7 kg MANUAL</p>		<p>9.4209 7 kg MANUAL</p>	

			
<p>9.4207 5 kg MANUAL</p>		<p>9.4205 4 kg MANUAL</p>	



COMBINATIONS

A picture hanging system comprises the following elements: **rail**, **hanging wire** and **hanging hook**. Artiteq guarantees the functionality of the products because it carefully coordinates the various elements of a picture hanging system. The quality can only be guaranteed when original (Artiteq) products are combined correctly. The guarantee is null and void if there are combinations other than with the correct Artiteq products. A frame or canvas will always hang more steadily if **2 hanging wires** are used.

The weight of the frame determines the choice of the hook and wire, in combination with the maximum weight carrying capacity of one metre of the rail.

INCORRECT COMBINATIONS

CORRECT COMBINATIONS

HANGING SETS

HANGING SETS 1 mm		HANGING SETS 2 mm				
max. 10 kg	max. 5 kg	max. 20 kg	max. 4 kg	max. 7 kg	max. 15 kg	max. 5 kg
TWISTER 1 mm STEELWIRE 150 cm + MICRO GRIP 1 mm (10 kg)	TWISTER 1 mm PERLON 150 cm + MICRO GRIP 1 mm (5 kg)	TWISTER 2 mm PERLON 150 cm + MICRO GRIP 2 mm (20 kg)	TWISTER 2 mm PERLON 150 cm + HOOK 9.4205 (4 kg)	TWISTER 2 mm PERLON 150 cm + HOOK 9.4209 (7 kg)	TWISTER 2 mm PERLON 150 cm + HOOK 9.4261 (15 kg)	TWISTER 2 mm PERLON 150 cm + HOOK 9.4207 (5 kg)
HANGING SET	HANGING SET	HANGING SET	HANGING SET	HANGING SET	HANGING SET	HANGING SET
30.42150	30.42100	30.42200	9.6670	9.6672	9.6674	9.6671

HANGING SETS 2 mm			STOPPER SET SLANTING WALLS	
max. 4 kg	max. 7 kg	max. 5 kg	max. 4 kg	
SLIDER ECONOMY 2mm 150 cm + HOOK 4kg (9.4205)	SLIDER ECONOMY 2mm 150 cm + HOOK 7kg (9.4209)	SLIDER ECONOMY 2mm 150 cm + HOOK 5kg (9.4207)	SOLID SLIDER 2 mm PERLONWIRE 150 cm + HOOK 4kg (9.4205) + STOPPER SLANTING WALLS	STOPPER SLANTING WALLS
HANGING SET	HANGING SET	HANGING SET	HANGING SET	
9.9004	9.4402	9.4400	9.6645	9.4235

installation video