









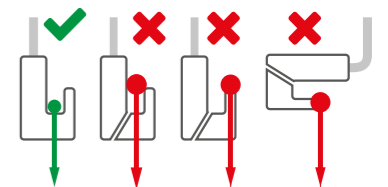


HOOKS & COMPATIBILITY

Depending on the weight of a frame or other wall decoration, the right picture hook must be selected. The wide product range offers hooks with maximum load capacities varying from 4 kg to 20 kg.

						
		30.41200 20 kg	30.41250 20 kg	30.41100 10/5 kg	9.4264 15 kg	9.4261 15 kg
		AUTO GRIP	AUTO GRIP	AUTO GRIP	AUTO GRIP	AUTO GRIP
			LOCK		LOCK	
 TWISTER 1 mm PERLON 150 / 200 / 300 cm			✓			
 TWISTER 1 mm STEELWIRE 150 / 200 / 300 cm			✓			
 TWISTER 1 mm STEELWIRE BLACK 150 / 200 / 300 cm			✓			
 TWISTER 2 mm PERLON 100 / 150 / 200 250 / 300 / 500 cm	✓	✓			✓	✓
 TWISTER 2 mm STEELWIRE 100 / 150 / 200 250 / 300 / 500 cm	✓	✓			✓	✓
 TWISTER 2 mm 2 mm ROD WHITE 100 / 200 cm	✓	✓				✓
 TWISTER CLIQ2FIX 2 mm PERLON 100 / 150 / 200 250 / 300 cm	✓	✓			✓	✓
 SOLID SLIDER 2 mm PERLON* 100 / 150 / 200 250 / 300 / 500 cm insert from the side	✓	✓			✓	✓
 SOLID SLIDER 2 mm STEELWIRE* 100 / 150 / 200 250 / 300 / 500 cm insert from the side	✓	✓			✓	✓

						
		9.4208 10 kg	9.4219 7 kg	9.4209 7 kg	9.4207 5 kg	9.4205 4 kg
		MANUAL	MANUAL	MANUAL	MANUAL	MANUAL
 TWISTER 2 mm PERLON 100 / 150 / 200 250 / 300 / 500 cm		✓	✓	✓	✓	✓
 TWISTER 2 mm ROD WHITE 100 / 200 cm					✓	
 TWISTER CLIQ2FIX 2 mm PERLON 100 / 150 / 200 250 / 300 cm		✓	✓	✓	✓	✓
 SOLID SLIDER 2 mm PERLON* 100 / 150 / 200 250 / 300 / 500 cm insert from the side		✓	✓	✓	✓	✓



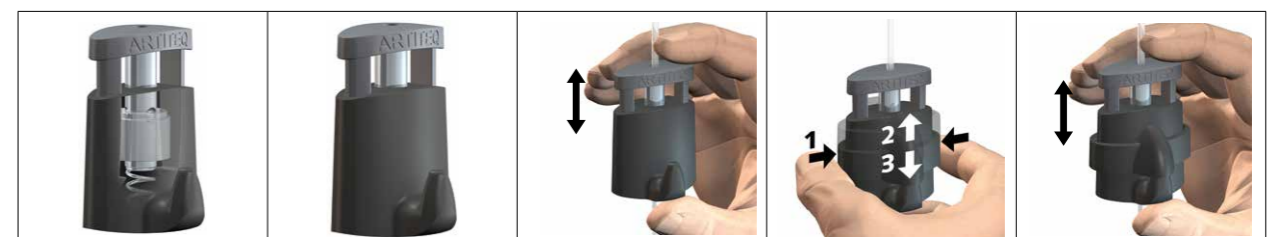
The maximum weight carrying capacity of a picture hook is only valid when the frame is correctly applied to the hook. This illustration shows how to correctly charge the picture hook.

MICRO GRIP


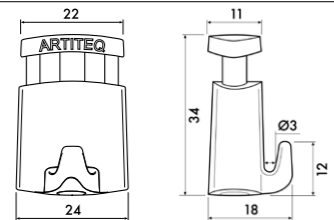

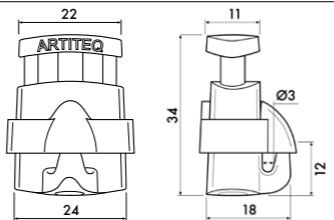
Micro Grip represents the newest generation of hooks. A high-quality plastic reinforced with fibreglass was chosen for this hook, leading to a 70% reduction in the use of materials compared with previous generations of hooks. In addition to the ecological advantages, the hook is extremely lightweight as a result, and very easy to use. The **Micro Grip** technology has been developed and patented by Artiteq. To guarantee the quality of the **Micro Grip** hooks, Artiteq has developed quality assurance procedures together with TÜV Nederland. The execution is under supervision of TÜV Nederland.


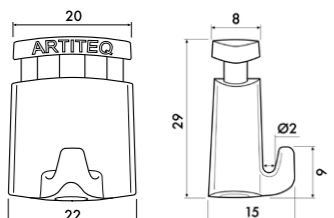

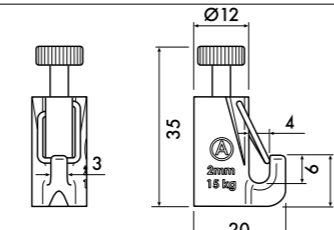



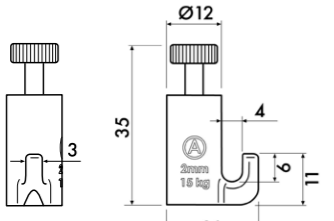

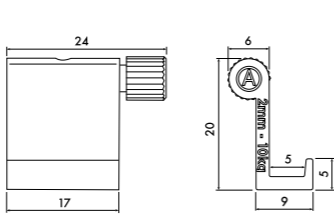
- LIGHTWEIGHT
- STRONG (20 kg)
- ERGONOMIC


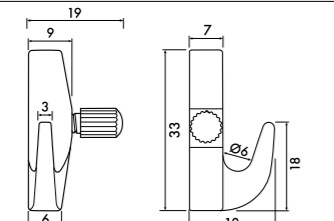

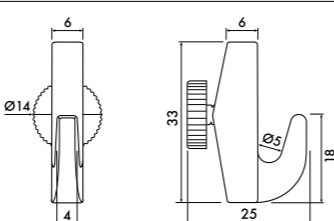



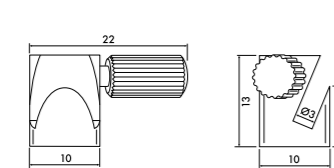

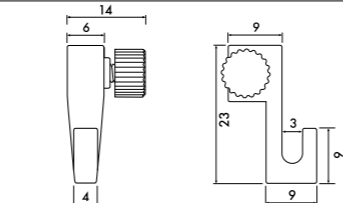
HOOKS

			
<p>30.41200 20 kg AUTO GRIP</p>		<p>30.41250 20 kg AUTO GRIP</p>	

			
<p>30.41100 10/5 kg AUTO GRIP</p>		<p>9.4264 15 kg AUTO GRIP</p>	

			
<p>9.4261 15 kg AUTO GRIP</p>		<p>9.4208 10 kg MANUAL</p>	

			
<p>9.4219 7 kg MANUAL</p>		<p>9.4209 7 kg MANUAL</p>	

			
<p>9.4207 5 kg MANUAL</p>		<p>9.4205 4 kg MANUAL</p>	



COMBINATIONS

A picture hanging system comprises the following elements: **rail**, **hanging wire** and **hanging hook**. Artiteq guarantees the functionality of the products because it carefully coordinates the various elements of a picture hanging system. The quality can only be guaranteed when original (Artiteq) products are combined correctly. The guarantee is null and void if there are combinations other than with the correct Artiteq products. A frame or canvas will always hang more steadily if **2 hanging wires** are used.

The weight of the frame determines the choice of the hook and wire, in combination with the maximum weight carrying capacity of one metre of the rail.

INCORRECT COMBINATIONS

maximum weight carrying capacity rail: **30 kg p/m**

maximum weight carrying capacity wire: **20 kg**

maximum weight carrying capacity hook: **4 kg**

weight frame: **5 kg**

CORRECT COMBINATIONS

maximum weight carrying capacity rail: **30 kg p/m**

maximum weight carrying capacity wire: **20 kg**

maximum weight carrying capacity hook: **4 kg**

weight frame: **5 kg**

maximum weight carrying capacity rail: **30 kg p/m**

maximum weight carrying capacity wire: **20 kg**

maximum weight carrying capacity hook: **20 kg**

weight frame: **40 kg**

maximum weight carrying capacity rail: **30 kg p/m**

maximum weight carrying capacity wire: **20 kg**

maximum weight carrying capacity hook: **20 kg**

weight frame: **40 kg**

> 1 m

HANGING SETS

HANGING SETS 1 mm		HANGING SETS 2 mm				
max. 10 kg	max. 5 kg	max. 20 kg	max. 4 kg	max. 7 kg	max. 15 kg	max. 5 kg
TWISTER 1 mm STEELWIRE 150 cm + MICRO GRIP 1 mm (10 kg)	TWISTER 1 mm PERLON 150 cm + MICRO GRIP 1 mm (5 kg)	TWISTER 2 mm PERLON 150 cm + MICRO GRIP 2 mm (20 kg)	TWISTER 2 mm PERLON 150 cm + HOOK 9.4205 (4 kg)	TWISTER 2 mm PERLON 150 cm + HOOK 9.4209 (7 kg)	TWISTER 2 mm PERLON 150 cm + HOOK 9.4261 (15 kg)	TWISTER 2 mm PERLON 150 cm + HOOK 9.4207 (5 kg)
HANGING SET	HANGING SET	HANGING SET	HANGING SET	HANGING SET	HANGING SET	HANGING SET
30.42150	30.42100	30.42200	9.6670	9.6672	9.6674	9.6671

HANGING SETS 2 mm			STOPPER SET SLANTING WALLS	
max. 4 kg	max. 7 kg	max. 5 kg	max. 4 kg	
SLIDER ECONOMY 2mm 150 cm + HOOK 4kg (9.4205)	SLIDER ECONOMY 2mm 150 cm + HOOK 7kg (9.4209)	SLIDER ECONOMY 2mm 150 cm + HOOK 5kg (9.4207)	SOLID SLIDER 2 mm PERLONWIRE 150 cm + HOOK 4kg (9.4205) + STOPPER SLANTING WALLS	STOPPER SLANTING WALLS
HANGING SET	HANGING SET	HANGING SET	HANGING SET	
9.9004	9.4402	9.4400	9.6645	9.4235

installation video